



SmartStix™ I/O

A New I/O for OCS

SmartStix™ I/O is a new terminal-block style I/O for the Operator Control Station (OCS). It can be used to expand the I/O capacity of any OCS, and it is very cost effective as remote I/O. Because SmartStix I/O connects to any OCS CsCAN™ network port, it can be combined with SmartStack™ I/O to provide the best I/O selection for the application. And, output modules feature Electronic Short-Circuit Protection (ESCP).

Compact, DIN-rail Mounted

SmartStix I/O is extremely compact, providing 16 and 32 point digital I/O in a package only 1.5" (39mm) deep and a footprint of 2"H x 4.5"W (50 x 116mm) or 2"H x 7"W (50 x 177mm). With its small footprint, SmartStix I/O takes up very little panel space whether located in the main control panel or tucked away in a remote location. SmartStix I/O has a barrier style terminal strip and can be mounted on a DIN-rail. Plus, removable terminals make field replacement fast and convenient.



SmartStix I/O

Expands I/O Capacity, Local or Remote

From the miniOCS* to the Color-Touchscreen OCS, SmartStix I/O easily expands the I/O capacity of any OCS utilizing the CsCAN network port available with every model. It is especially cost effective when added to a miniOCS. SmartStix I/O offers fast response times without sacrificing robustness, with no need for a costly I/O interface unit. In addition to its peer-to-peer capabilities, CsCAN is used as a highly efficient method of distributing SmartStix I/O up to 6000 ft** away.

Easy to Set Up—Easy to Configure

Time and complexity to configure most remote I/O systems is a drawback. SmartStix I/O greatly reduces setup time. Just assign a unique ID to the I/O module using the integrated rotary switches, connect a 5-wire shielded cable, and add a single, simple function block to your Cscape™ control program. You'll be up and running in no time.

SmartStix Application Examples



XLe with Fixed I/O plus SmartStix Remote I/O



OCS110/210/NX OCS with Local SmartStack I/O plus SmartStix Remote I/O



QX with Backpack with FOX Expansion I/O plus SmartStix Remote I/O

Local or Remote

Electronic Short-Circuit Protection (ESCP)

Removable Terminals

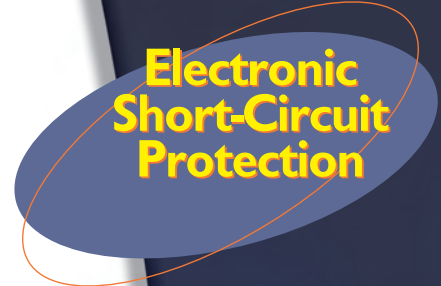
Compact

* Optional CsCAN port required for miniOCS.

** Maximum distance is 600 ft per segment, with up to 6000 ft possible using repeaters.

Specifications

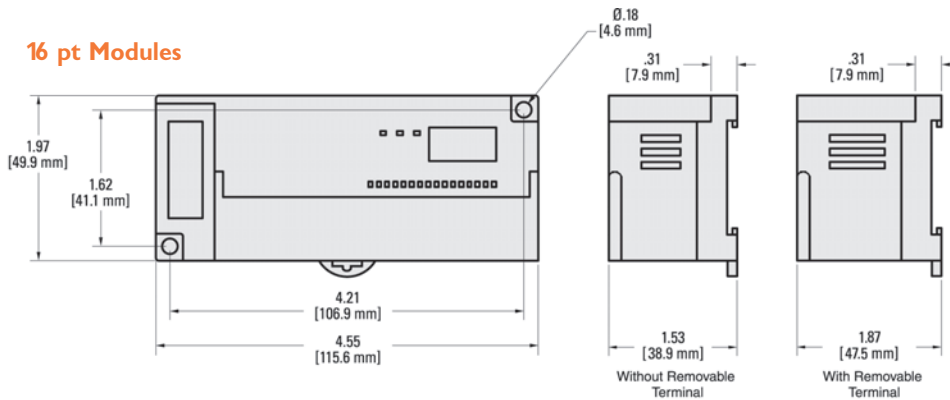
Item	SmartStix-I/O Specification
Bus Protocol	CsCAN (Control Station Controller Area Network)
Bus Connector	5-position terminal strip
Maximum Distance	1500 ft (500m) per segment; 4 segments max
Maximum Number of Nodes	253
Module Configuration Method	Module ID set using two rotary switches
LED Indication	I/O status (one per point); power, module status, network status
Output Protection	Electronic Short-Circuit Protection (16 and 32 Output modules only)
Product Certifications	CE, UL (digital only)



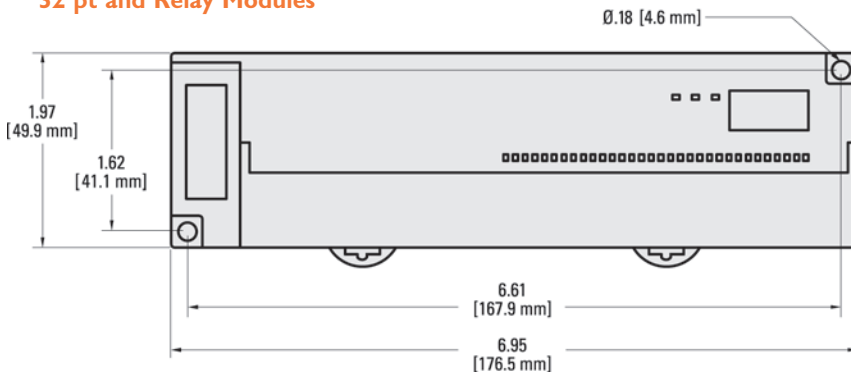
Easily Expands I/O Capacity

Easy Setup

16 pt Modules



32 pt and Relay Modules



Part Numbers	Description
Fixed Terminals	Removable Terminals
Digital	
HE550DIM610	HE559DIM610 16 DC Inputs (24vdc, pos/neg logic)
HE550DIM710	HE559DIM710 32 DC Inputs (24vdc, pos/neg logic)
HE550DQM601	HE559DQM601 16 DC Outputs (24vdc, neg logic, 0.5A)
HE550DQM606	HE559DQM606 16 DC Outputs (24vdc, pos logic, 0.5A)
HE550DQM701	HE559DQM701 32 DC Outputs (24vdc, neg logic, 0.5A)
HE550DQM706	HE559DQM706 32 DC Outputs (24vdc, pos logic, 0.5A)
HE550DQM602	HE559DQM602 16 Relay Outputs (250vac, 30vdc, 2.0A)
HE550DIQ811	HE559DIQ811 16 DC Inputs (24vdc, pos/neg logic) and 16 DC Outputs (24vdc, neg logic, 0.1A, ESCP not available)
Analog	
	HE559ADC970 12 channel Analog Inputs (current and voltage)
	HE559MIX977 8 channel In/4 channel Out (current and voltage)
	HE559MIX577 4 channel In/2 channel Out (current and voltage)



32 pt SmartStix Module

Horner APG

USA 877-665-5666 or 317-916-4274

Europe (+353) 21-4321266

www.hornerOCS.com

Cscape, SmartStack, SmartStix, SmartLnx, and CsCAN are registered trademarks of Horner APG, LLC.
© 2007 Horner APG, LLC

SS 6-20-07



20 Years of Innovation